

Original MINI Accessories. Installation Instructions.



Retrofitting suspension brace, MINI One (R56) MINI Cooper (R56) MINI Cooper S (R56)

Retrofit kit No.: 51 71 0 415 674 Suspension brace

Installation time

The installation time is approx. 0.5 hours, but may vary depending on the condition of the car and the equipment in it.

The vehicle must be updated to the latest I-level status by flashing before installing the retrofit. Different programming times are necessary depending on the production age of the vehicle and the work already performed on the vehicle so that no time requirements can be specified here. The installation time does not include the time required for programming/encoding which depends on the vehicle's age and equipment.

Important information

This kit cannot be retrofitted to a car with diesel engine.

These installation instructions are primarily designed for use within the MINI dealership organisation and by authorised BMW service companies.

In any event, the target group for these installation instructions is specialist personnel trained on MINI cars with the appropriate specialist knowledge.

All work must be completed using the latest MINI repair manuals, circuit diagrams, servicing manuals and work instructions, in a rational order, using the prescribed tools (special tools) and observing current health and safety regulations.

To avoid unnecessary extra work and/or costs, if any installation or function problem occurs, after a brief troubleshooting session (approx. 0.5 hours), please contact the following:

- 1. Either your national subsidiary or your regional office, or**
- 2. The Support team via the Aftersales Assistance Portal (ASAP), using the optional technical parts support application.**

Specify the chassis number and the part number of the installed retrofit kit and give a precise description of the problem.

Do not archive the hard copy of these installation instructions since daily updates are made by ASAP!

All pictures show LHD cars; proceed accordingly on RHD cars.

Pictograms:



Denotes instructions that draw your attention to dangers.



Denotes instructions that draw your attention to special features.

◀ Denotes the end of the instruction or other text.

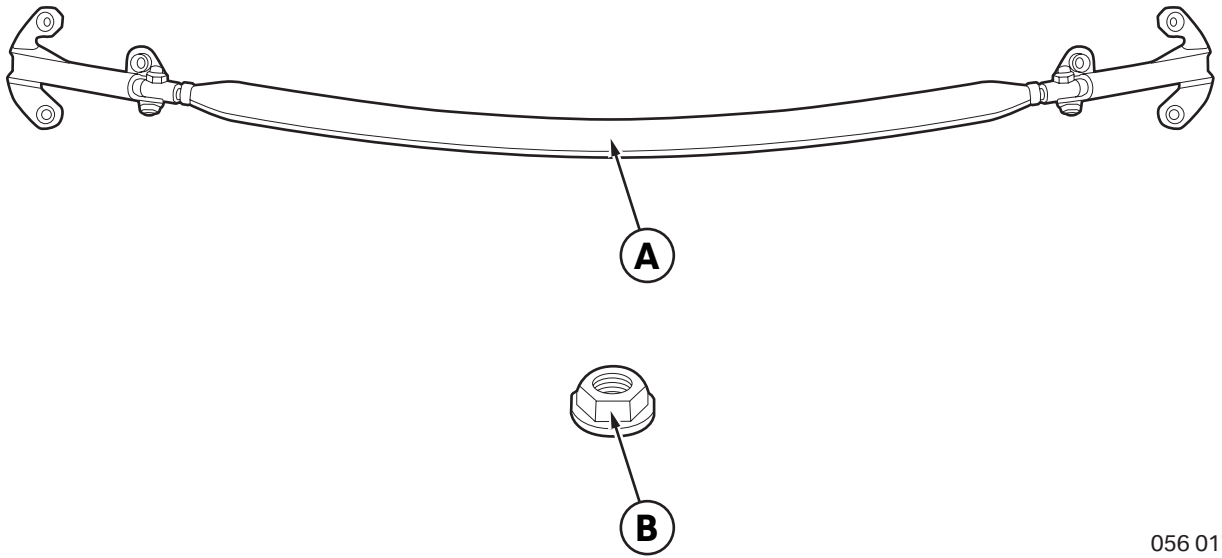
Special tools required

None

Contents

| Section | Page |
|--------------------------------------|------|
| 1. Parts Overview | 4 |
| 2. Preparatory work | 5 |
| 3. Installing suspension brace | 6 |
| 4. Concluding work and coding | 8 |

1. Parts Overview



056 0171 V

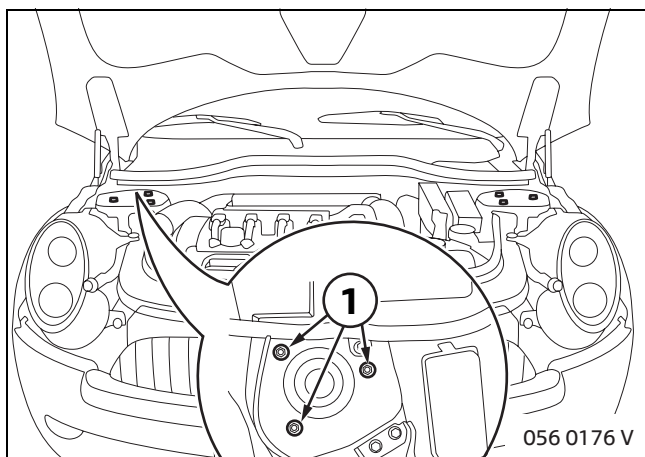
Legend

- A** Suspension brace
- B** Hexagon nut (6x)

2. Preparatory work


| | TIS No. |
|---|-----------|
| Perform quick test | — |
| Disconnect negative terminal of battery | 12 00 ... |
| Remove the following components | |
| None | — |

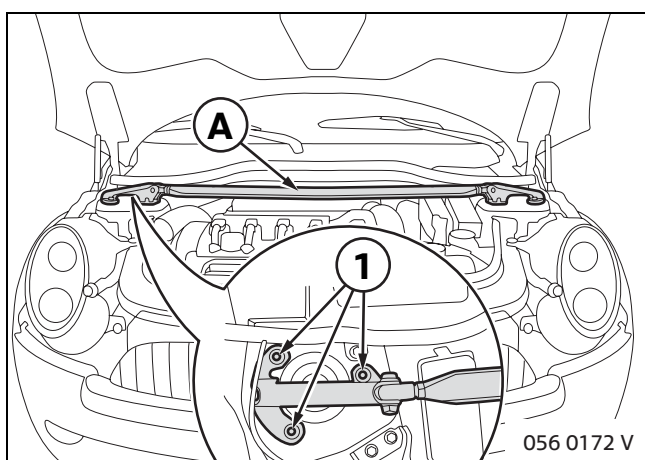
3. Installing suspension brace



To position the suspension brace:

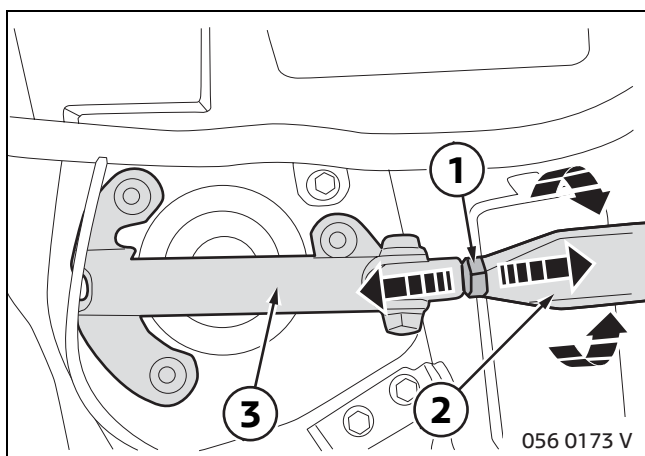
Remove nuts (1) from the suspension-strut mounts on both sides.

 The nuts must not be reused. ◀




Position suspension brace **A** on studs (1) on the right suspension dome.

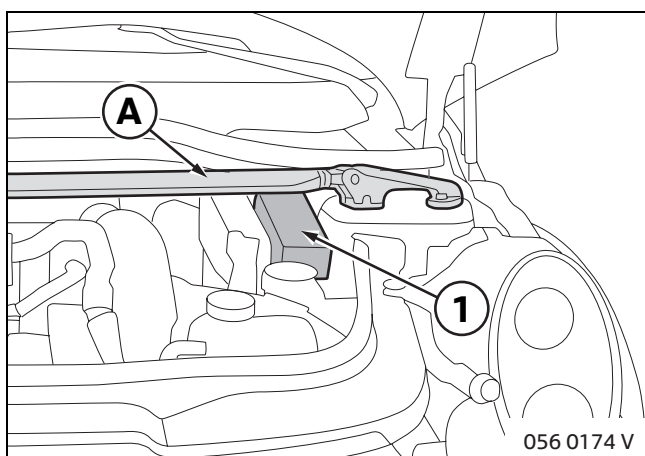
If the holes in suspension brace **A** do not match up with the studs of the left spring strut, adjust the length of suspension brace **A** as described below.



To adjust the suspension brace:

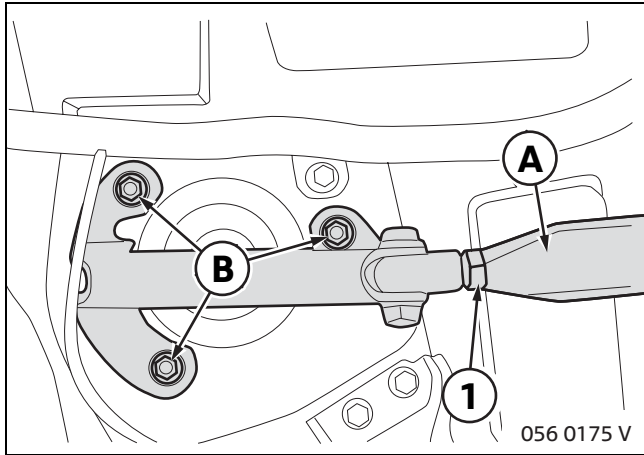
Slacken locknuts (1) at both sides, turn each strut (2) through one full turn and continue this process until the length is correct.

 Make sure that the distance between strut (2) and strut holder (3) is the same at each side. ◀



Seat suspension brace **A** on the studs of the left suspension dome and turn it until it is parallel with fuse box (1).


3. Installing suspension brace



To secure the suspension brace:

Tighten locknuts (1) at both sides.

Then secure the holders of suspension brace **A** at both sides by tightening nuts **B** to the specified torque as stated in TIS No.: 31 31 000.

 Use nuts **B** from the retrofit kit. ◀

4. Concluding work and coding

The retrofit system does not require encoding.

- Reconnect vehicle battery
- Perform quick test