

Parts and Accessories

Installation instructions



Retrofit - Protective film for load sill

MINI ONE (R50)

MINI COOPER (R50)

MINI COOPER S (R53)

Retrofit kit No.: 51 14 0 403 599
51 14 0 403 600

Installation time

The installation time of approx. 0.5 hours can vary depending on the condition and equipment of the vehicle.

Important information

These installation instructions are mainly intended for use in the MINI dealership network and by authorised BMW Service Centres;

The target group of these installation instructions are technical personnel trained on MINI vehicles with corresponding technical know-how.

All work is to be carried out with the aid of currently valid MINI repair instructions, schematic circuit diagrams, maintenance manuals and working instructions in rational order with the specified tools (special tools) while paying particular attention to valid safety regulations.

In order to avoid unnecessary additional expenditure/costs, if any problems regarding installation, assembly or operation are encountered, after spending a little time on attempting to finding the problem (approx. 0.5 hour), an enquiry, including the vehicle identification number, part number of the installed retrofit kit and a detailed description of the problem, should be sent immediately via the Aftersales Assistance Portal (ASAP) to Technical Support.

Do not archive the printout of these Installation Instructions as daily updates are conducted through ASAP!

Refer to ASAP for explanations of the pictographs.

All illustrations show LHD vehicles. Carry out the same procedure analogously on RHD vehicles.

Subject to technical modifications.

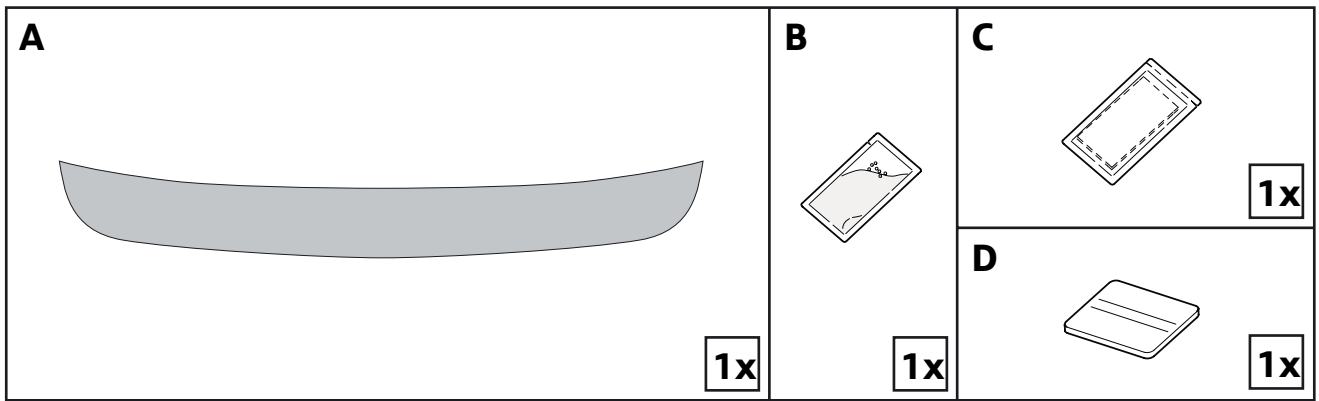
Required special tools

None

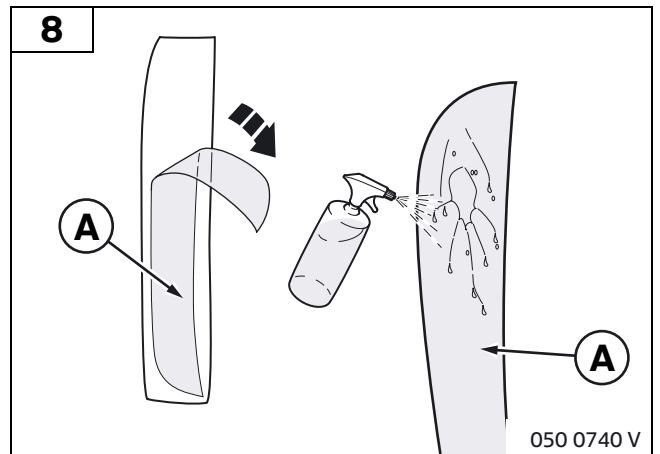
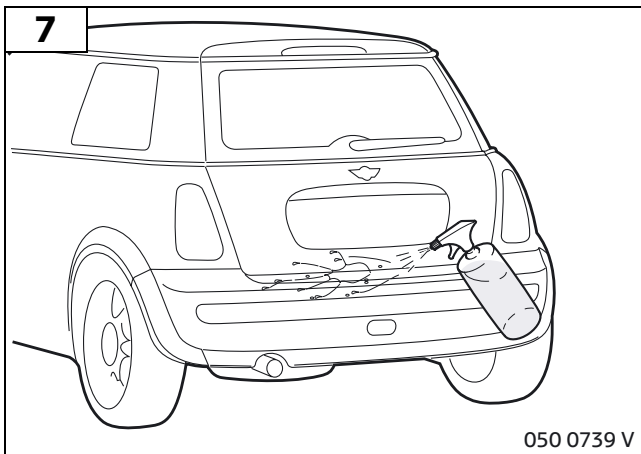
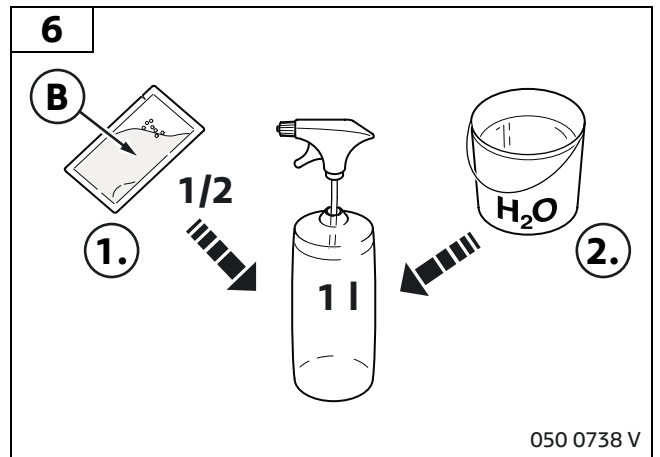
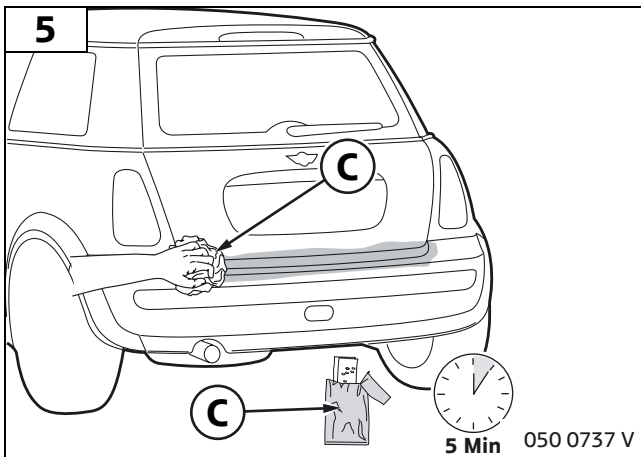
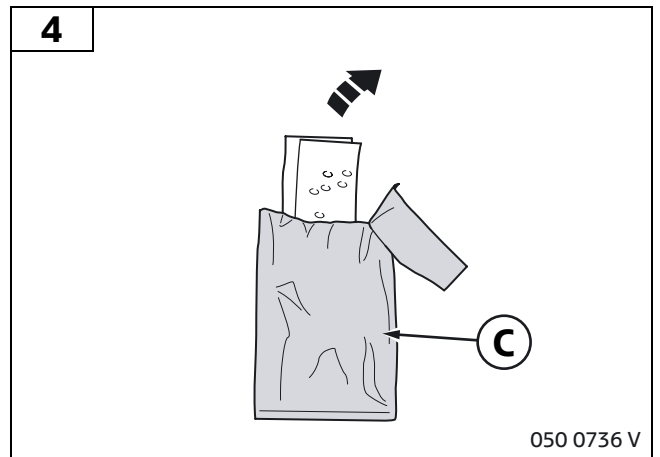
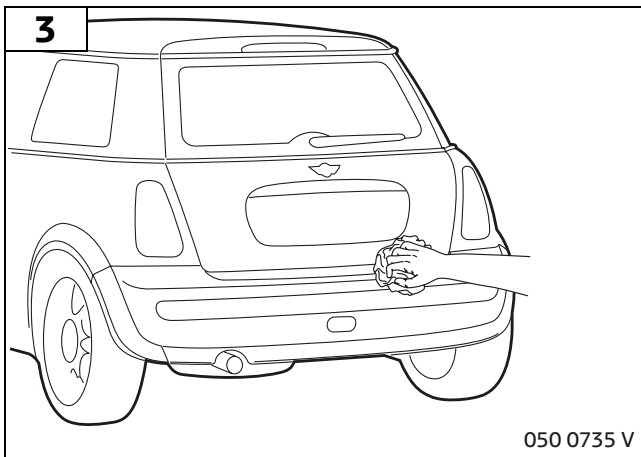
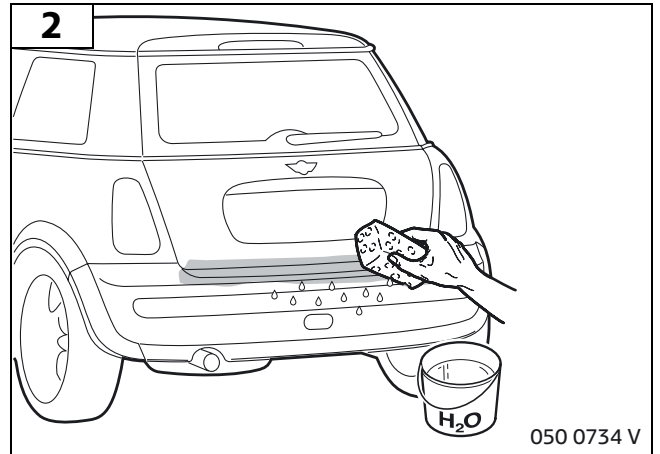
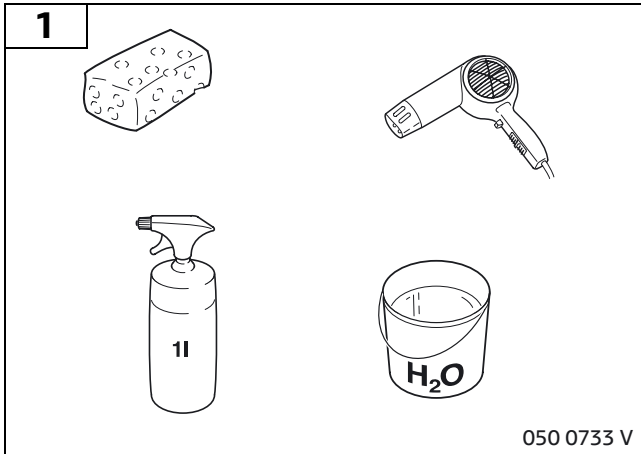
Contents

Section	Page
1. Parts overview	3
2. Installation	4

1. Parts overview



2. Installation



2. Installation

